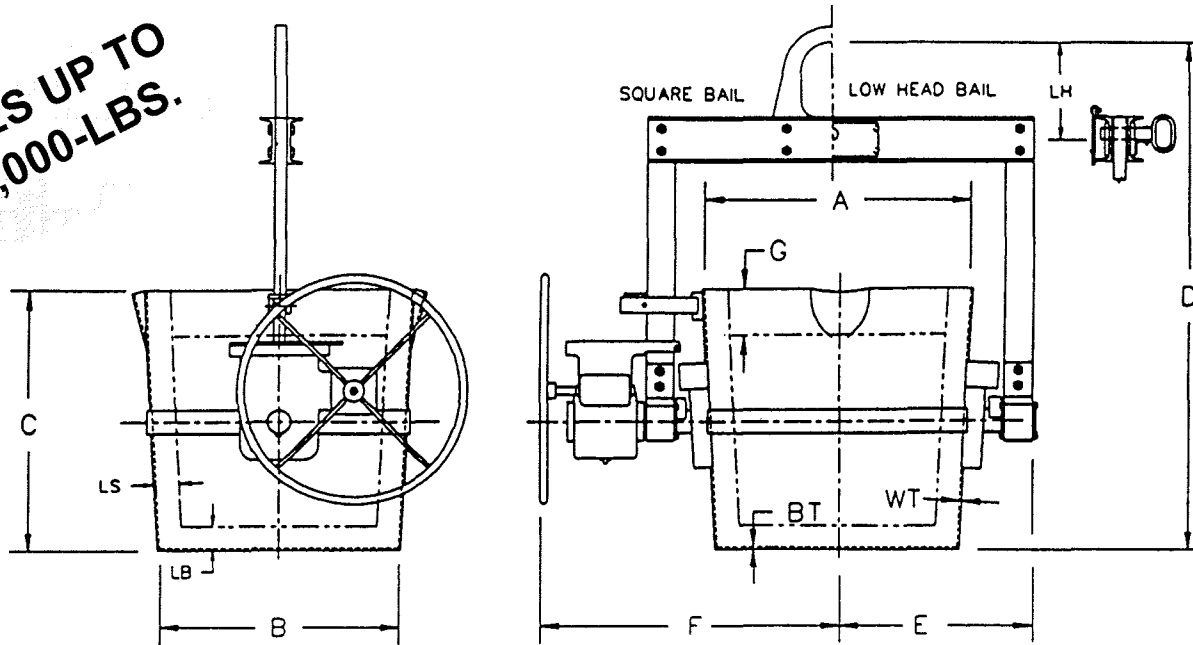


# D&E CRANE LADLES

**SIZES UP TO  
30,000-LBS.**



Ladle lining forms, cradles that hold ladles for pouring, and motorized gear tilting options are available for all D&E Foundry Products ladles. See catalog pages 10-12 for a complete description of D&E Ladle innovations and accessories.

Model No	Iron Capacity	A ID	B ID	C	D	LH*	E	F	G	LS & LB	BT	WT
LO23-180-2540	560	18.0	16.5	18.0	34.75	8.0	15.25	27.5	1.75	1.5	0.19	0.13
LO23-205-2540	865	20.5	18.5	20.5	40.5	8.0	16.5	28.75	2.0	1.5	0.19	0.19
LO23-215-3050	1030	21.5	19.5	21.5	42.5	8.0	17.0	29.25	2.0	1.5	0.25	0.19
LO23-230-3050	1315	23.0	21.0	23.0	44.0	8.0	17.75	30.0	2.0	1.5	0.25	0.19
LO23-255-3050	1690	25.5	23.5	25.5	50.0	8.75	20.25	34.25	2.0	2.0	0.25	0.19
LO23-270-3050	2035	27.0	25.0	27.0	51.75	8.75	21.0	35.0	2.5	2.0	0.25	0.19
LO23-285-3560	2420	28.5	26.0	28.5	54.75	8.75	21.75	35.5	2.5	2.0	0.25	0.19
LO23-300-3560	2915	30.0	27.5	30.0	55.5	8.75	23.0	36.25	2.5	2.0	0.25	0.19
LO23-315-3560	3410	31.5	28.5	31.5	59.25	8.75	23.75	37.0	2.5	2.0	0.31	0.25
LO23-335-3560	3715	33.5	30.5	33.5	63.5	8.75	24.75	38.0	2.5	2.75	0.31	0.25
LO23-345-4060	3990	34.5	31.0	34.5	66.75	8.75	25.0	38.5	3.0	2.75	0.31	0.25
LO23-365-4060	4920	36.5	33.0	36.5	69.25	8.75	26.0	39.5	3.0	2.75	0.31	0.25
LO23-405-50D4	6320	40.5	36.5	40.5	75.5	15.75	30.0	47.0	3.0	3.5	0.31	0.25
LO23-435-50D4	8135	43.5	39.0	43.5	80.75	15.75	31.5	48.5	3.0	3.5	0.38	0.31
LO23-455-50D4	9600	45.5	41.0	45.5	85.5	15.75	32.5	49.5	3.0	4.0	0.38	0.31
LO23-480-50D4	10525	48.0	43.0	48.0	91.25	15.75	34.0	52.25	4.0	4.0	0.38	0.31
LO23-510-60D4	13195	51.0	46.0	51.0	96.0	15.75	35.5	53.75	4.0	4.0	0.38	0.31
LO23-540-60D4	15000	54.0	49.0	54.0	99.5	15.75	37.0	55.25	4.0	4.75	0.38	0.31
LO23-560-60D4	18000	56.0	50.5	56.0	106.25	15.75	38.0	56.25	4.0	4.75	0.50	0.38
LO23-585-60D4	19500	58.5	53.0	58.5	111.0	15.75	39.25	57.75	5.0	4.75	0.50	0.38

\*Height "D" is reduced by "LH" with Low Headroom Bail option. V-Bails are available.

NOTE: Capacities are in pounds. Dimensions are in inches and are subject to change.