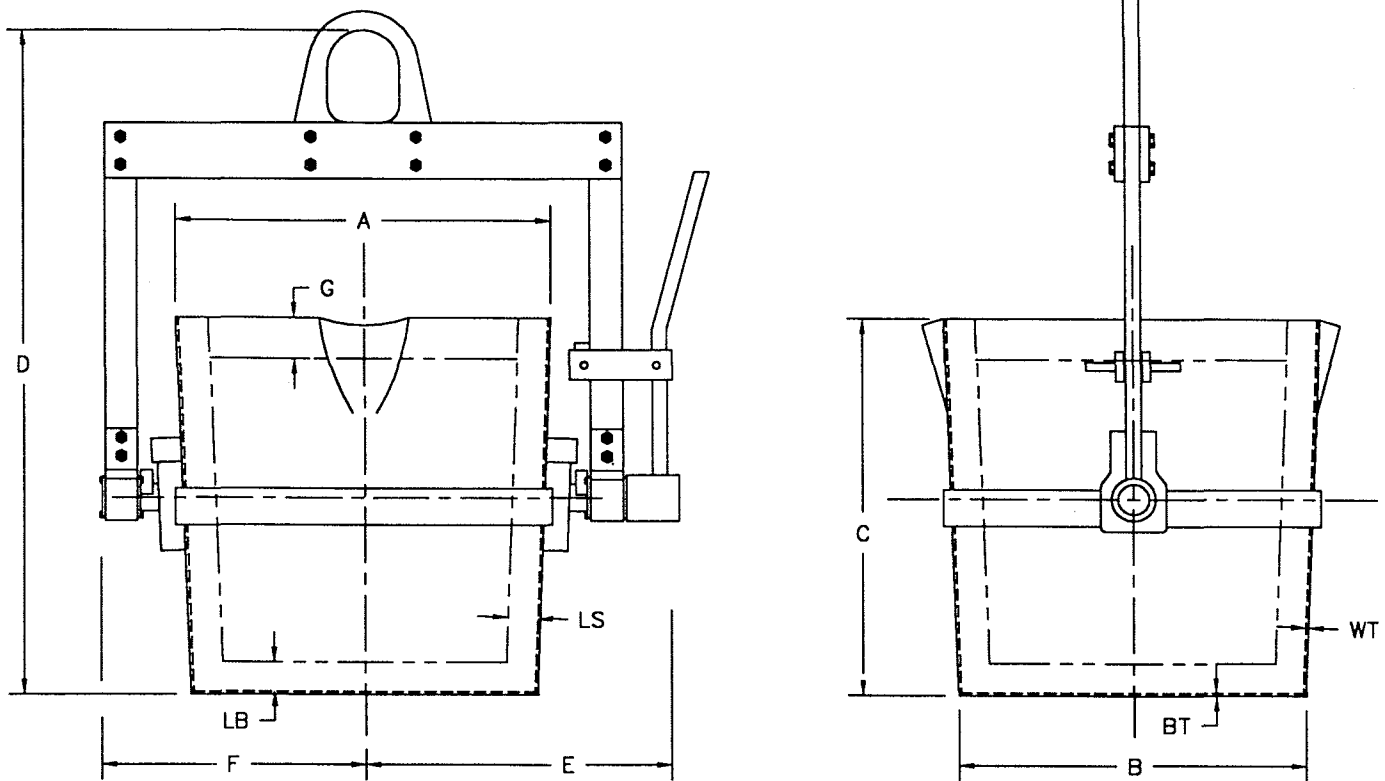


D&E HAND TILT POURING LADLES



Ladle lining forms, cradles that hold ladles for pouring, and motorized gear tilting options are available for all D&E Foundry Products ladles. See catalog pages 10-12 for a complete description of D&E Ladle innovations and accessories. V-Bails and Low Headroom Bails are available.

Model No	Iron Capacity	A ID	B ID	C	D	E	F	G	LB & LS	BT	WT
LO31-120	160	12.0	11.0	12.0	19.25	11.0	14.0	1.5	1.0	10 ga	12 ga
LO31-128	190	12.75	11.25	12.75	20.75	11.5	14.5	1.5	1.0	10 ga	12 ga
LO31-140	270	14.0	12.5	14.0	21.0	12.0	15.0	1.5	1.0	10 ga	12 ga
LO31-145	300	14.5	13.0	14.5	22.0	12.25	15.25	1.75	1.0	10 ga	12 ga
LO31-155	385	15.5	14.0	15.5	25.5	12.75	15.75	1.75	1.0	7 ga	10 ga
LO31-165	400	16.5	15.0	16.5	27.0	13.25	16.25	1.75	1.5	7 ga	10 ga
LO31-175	500	17.5	16.0	17.5	28.5	13.75	16.75	1.75	1.5	7 ga	10 ga
LO31-180	560	18.0	16.5	18.0	29.75	14.0	17.0	1.75	1.5	7 ga	10 ga
LO31-185	620	18.5	17.0	18.5	31.0	14.25	17.25	1.75	1.5	7 ga	7 ga
LO31-205	865	20.5	18.5	20.5	32.5	15.25	18.25	2.0	1.5	7 ga	7 ga
LO31-215	1030	21.5	19.5	21.5	34.0	15.75	18.75	2.0	1.5	.25	7 ga
LO31-230	1310	23.0	21.0	23.0	36.5	16.5	19.5	2.0	1.5	.25	7 ga

NOTE: Weights are in pounds. Dimensions are in inches and are subject to change.