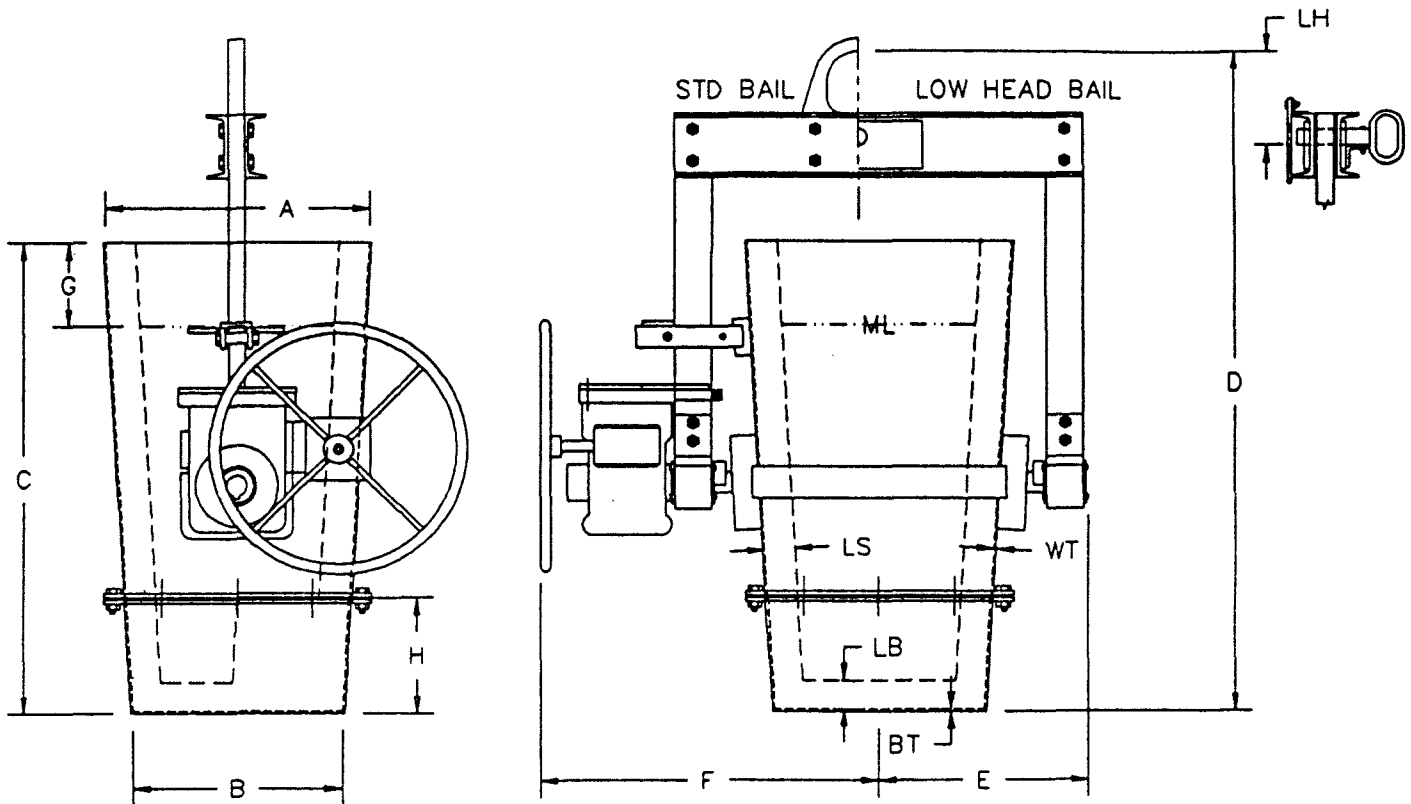


D&E SANDWICH PROCESS DUCTILE IRON TREATMENT LADLES



Ladle lining forms and spare ladle bottoms are some of the accessories that help control maintenance costs and down time for D&E process ladles. Other options include motorized gear tilt and cradles that hold ladles for pouring. See catalog page 10-12 for a complete description of D&E Ladle innovations and accessories.

| Model No | Iron Capacity | A ID | B ID | C | D | LH* | E | F | G | H | LB | LS | B | WT |
|---------------|---------------|------|------|------|-------|-------|-------|-------|------|------|-----|-----|------|------|
| LO25-220-3050 | 1000 | 22.0 | 19.0 | 40.0 | 56.0 | 8.0 | 17.0 | 29.25 | 6.0 | 9.0 | 3.0 | 2.5 | 0.25 | 0.19 |
| LO25-250-3550 | 1500 | 25.0 | 20.0 | 45.0 | 63.0 | 8.75 | 20.25 | 34.25 | 5.0 | 10.0 | 3.0 | 3.0 | 0.25 | 0.19 |
| LO25-280-3550 | 2000 | 28.0 | 22.0 | 50.0 | 70.0 | 8.75 | 21.75 | 35.5 | 7.0 | 11.0 | 3.0 | 3.0 | 0.25 | 0.19 |
| LO25-320-4060 | 3000 | 32.0 | 25.0 | 57.0 | 76.0 | 8.75 | 24.0 | 37.25 | 11.0 | 12.0 | 3.0 | 3.0 | 0.31 | 0.25 |
| LO25-340-4060 | 4000 | 34.0 | 29.0 | 61.0 | 80.0 | 8.75 | 25.0 | 38.5 | 12.0 | 13.0 | 3.0 | 3.0 | 0.31 | 0.25 |
| LO25-410-50D4 | 6000 | 41.0 | 33.0 | 73.0 | 92.0 | 15.75 | 30.0 | 47.0 | 14.0 | 14.0 | 4.5 | 4.5 | 0.31 | 0.25 |
| LO25-440-50D4 | 8000 | 44.0 | 36.0 | 80.0 | 102.0 | 15.75 | 31.5 | 48.5 | 14.0 | 16.0 | 5.0 | 5.0 | 0.38 | 0.31 |
| LO25-480-60D4 | 10000 | 48.0 | 39.0 | 88.0 | 120.0 | 15.75 | 34.0 | 52.25 | 18.0 | 18.0 | 5.0 | 5.0 | 0.38 | 0.31 |

*Height "D" is reduced by "LH" with Low Headroom Bail option.

NOTE: Capacities are in pounds. Dimensions are in inches and are subject to change.