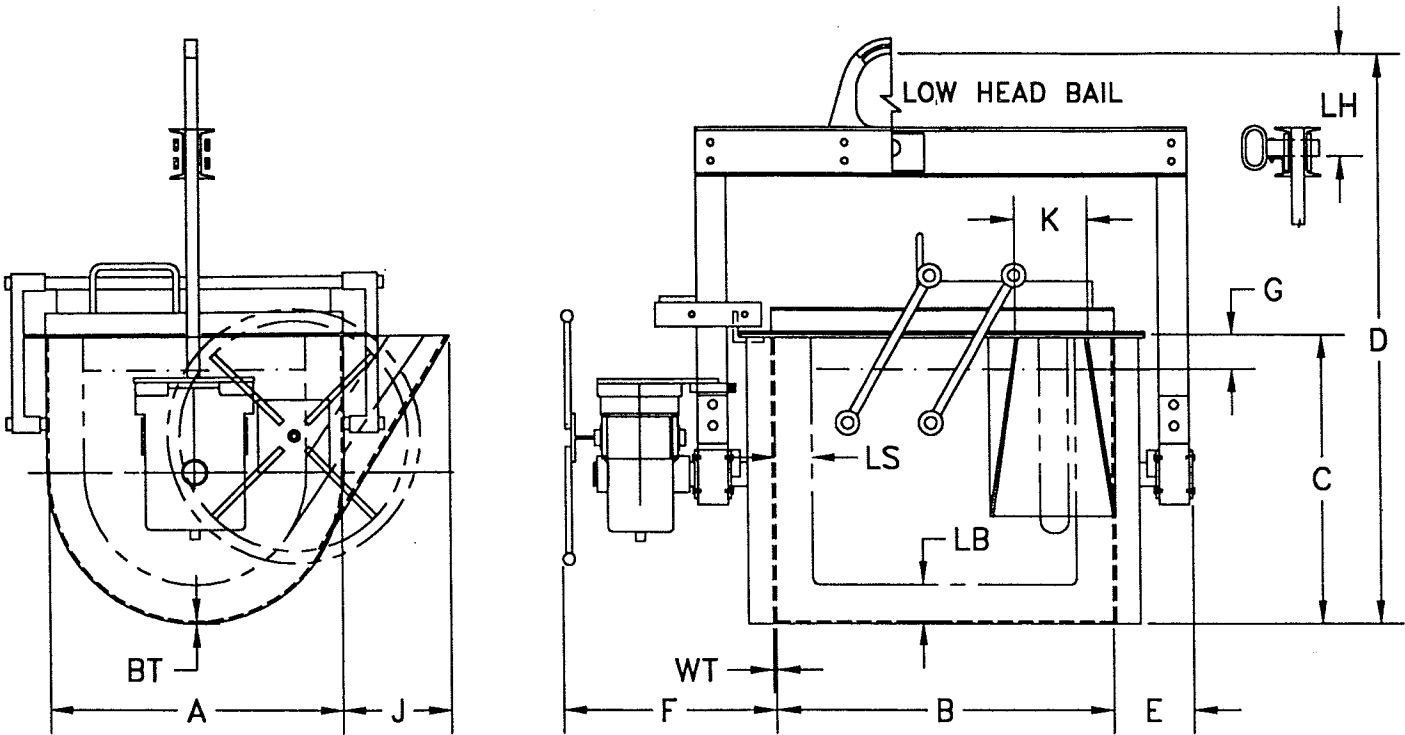


D&E "U"-SHAPED LADLES



Ladle lining forms, cradles that hold ladles for pouring, and motorized gear tilting options are available for all D&E Foundry Products ladles. See catalog pages 10-12 for a complete description of D&E Ladle innovations and accessories.

Model	Iron Capacity	A ID	B ID	C	D	E	F	G	LH*	J	K	LS & LB	BT	WT
LO22-21X23-3050	1000	21	23	20.75	41	6.5	21.5	2.25	8.0	8.0	5.0	2.25	.19	.25
LO22-23X26-3050	1250	23	26	22.75	44	6.5	21.5	2.25	8.0	8.0	5.0	2.25	.19	.25
LO22-24X28-3050	1550	24	28	23.75	47	6.5	21.5	2.75	8.0	9.0	6.0	2.75	.25	.31
LO22-26X30-3550	2000	26	30	25.75	48	8.0	23.0	2.75	8.75	9.0	6.0	2.75	.25	.31
LO22-28X32-3550	2550	28	32	28.0	51	8.0	23.0	3.0	8.75	10.0	7.0	3.0	.25	.31
LO22-28X38-3550	3100	28	38	28.0	51	8.0	23.0	3.0	8.75	10.0	7.0	3.0	.25	.31
LO22-31X40-4060	4100	31	40	31.0	60	9.0	25.25	3.25	8.75	10.0	7.0	3.25	.31	.38
LO22-34X36-4060	4550	34	36	34.0	62	9.0	25.25	3.25	8.75	12.0	9.0	3.25	.31	.38
LO22-34X42-4060	5500	34	42	34.0	62	9.0	25.25	3.25	8.75	12.0	9.0	3.25	.31	.38
LO22-37X45-4060	7000	37	45	37	80.25	9.0	25.25	3.50	8.75	12.0	12.0	4.0	.38	.50
LO22-41X48-50D4	9000	41	48	41	87.75	10.0	27.75	4.0	15.0	14.5	12.0	4.5	.50	.63

*Height "D" is reduced by "LH" with Low Headroom Bail option.

NOTE: Capacities are in pounds. Dimensions are in inches and are subject to change.