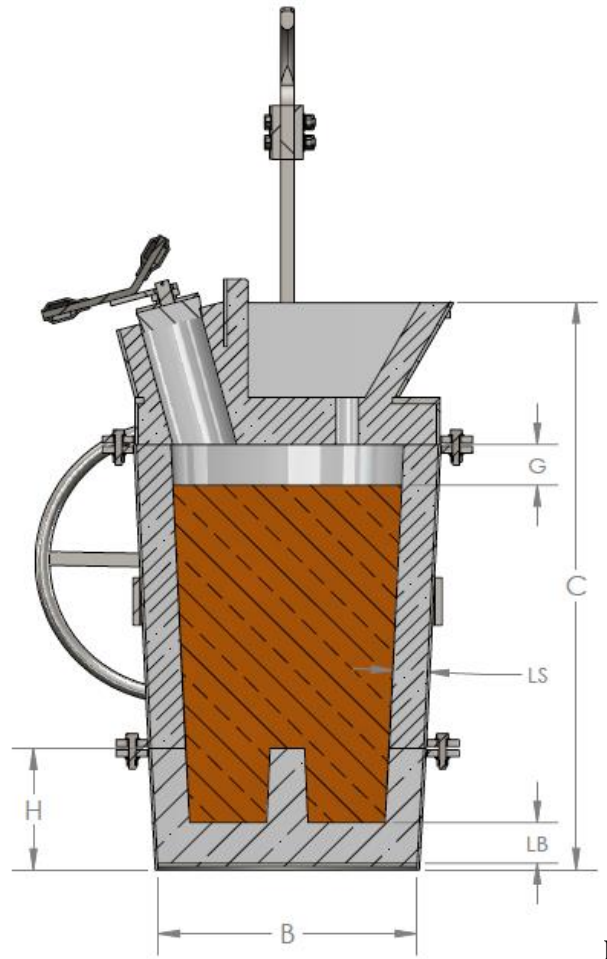
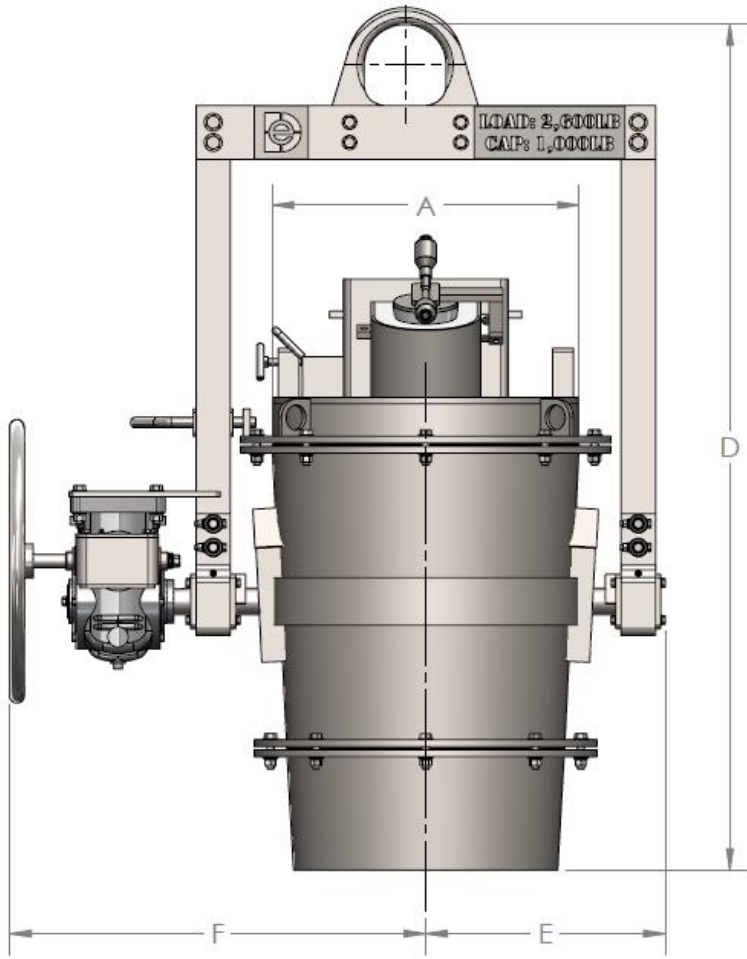


SIZES UP TO
20,000 LB

**TIGHT COVER™ DUCTILE
IRON TREATMENT LADLES**
Designed for Foundrymen



Ladle

lining forms and spare ladle bottoms are some of the accessories that help control maintenance costs and down time for D&E process ladles. Other options include motorized gear tilt and cradles that hold ladles for pouring. See catalog page 15 for a complete description of D&E Ladles innovations and accessories.

T1 Series										
Capacity (Iron)	A Top ID	B Bottom ID	C Height	D	LH*	E	F	H	G & LB	LS
600	19.5	17.5	36.0	56.8	8.0	16.0	28.3	8.3	3.0	2.5
1,000	22.0	19.0	40.3	61.3	8.0	17.0	29.3	9.0	3.0	2.5
1,500	24.0	20.3	45.8	68.8	8.9	18.3	30.5	10.0	3.0	2.5
2,000	26.0	22.0	47.5	72.5	8.9	20.3	34.3	10.5	3.0	2.5
3,000	30.0	25.3	53.8	81.8	8.9	23.0	36.6	12.0	4.0	3.0
4,000	34.0	29.3	56.8	84.8	8.9	25.0	38.5	13.0	4.0	3.5
6,000	38.0	32.8	63.8	91.0	15.8	26.8	40.3	14.0	4.0	3.5
8,000	42.0	36.0	71.0	103.0	15.8	31.0	48.0	16.0	5.0	4.0
10,000	45.5	39.0	76.0	117.0	N/A	32.5	50.0	18.0	5.0	4.5
12,000	47.5	41.0	82.0	124.0	N/A	33.5	51.0	18.0	5.0	4.5

*Height "D" is reduced by "LH" with Low Headroom Bail option.

Note: Capacities are in pounds. Dimensions are in inches. All specs are subject to change.