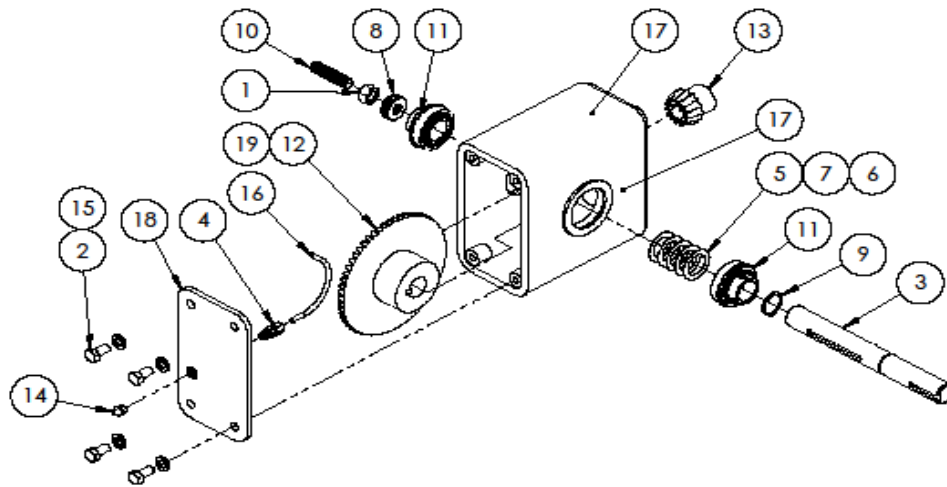
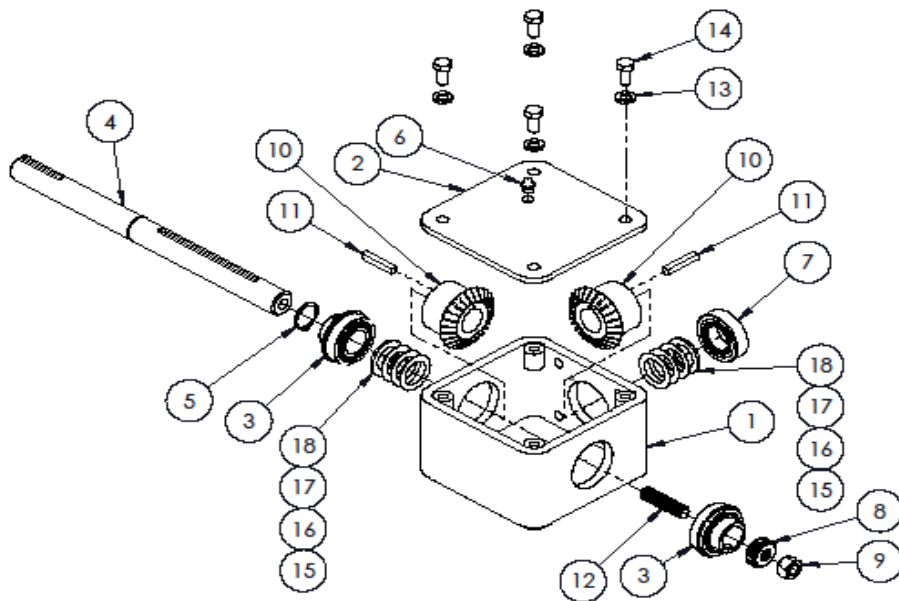


ITEM NO.	PART NUMBER	DESCRIPTION	QTY
1	hex nut_ai(HNUT 0.5000-13-D-N)	NUT, HEX, 1/2-13	1
2	HFBOLT 0.375-16x0.75x0.75-N	BOLT, HEX, GR8, 3/8-16 X 3/4	4
3	L009-004-001-R1	INPUT SHAFT 1:4	1
4	P01-0200	FITTING, 3/16" TUBE x 1/8" PIPE	1
5	P03-0008	SHIM, 1" x .005"	1
6	P03-0009	SHIM, 1" x .010"	2
7	P03-0010	SHIM, 1" x .020"	2
8	P03-0021	NUT, KNURLED	1
9	P03-0022	RING, RETAINING, EXTERNAL, 1"	1
10	P03-0023	STUD, 1/2-13 X 2"L, PLAIN	1
11	P03-0025	BEARING, 7616DLG	2
12	P03-0064	GEAR	1
13	P03-0065	GEAR, PINION	1
14	P07-0082	ZERK FITTING, 1/8-27 NPT	1
15	Regular LW 0.375	WASHER, LOCK, 3/8	4
16	T7000965	LINE, LUBE	1
17	T7003424	CASE MACHINING, RAG, 25	1
18	T7003425	COVER WELDMENT, CASE	1
19	T7003696	KEY, 1/4 X 1.5	1



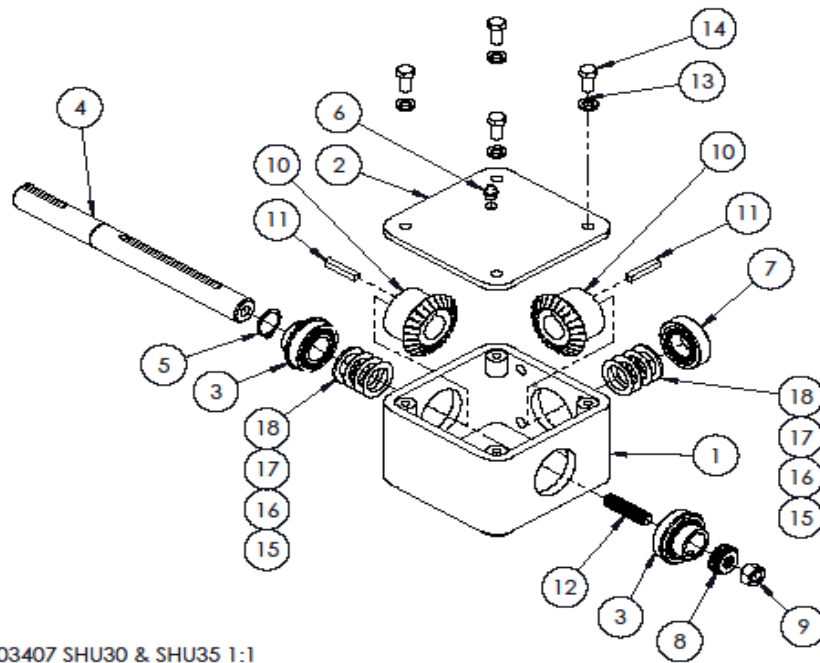
T7003420 SHV25 1:4

ITEM NO.	PART NUMBER	DESCRIPTION	QTY
1	T7003409	CASE WELDMENT	1
2	T7003412	PLATE, COVER	1
3	P03-0025	BEARING, 7616DLG	2
4	L003-014-003-R1	INPUT SHAFT, 40 GEARING	1
5	P03-0022	RING, RETAINING, EXTERNAL, 1"	1
6	P07-0082	ZERK FITTING, 1/8-27 NPT	1
7	P03-0029	BEARING, 1641 2RS	1
8	P03-0021	NUT, KNURLED	1
9	HNUT 0.5000-13-D-N	NUT, HEX, 1/2-13UNC	1
10	P03-0020	GEAR, MITER, 25T	2
11	Key B17.1 0.25x0.25x1.5	KEY, 1/4 X 1.4	2
12	P03-0023	STUD, 1/2-13 X 2"L, PLAIN	1
13	Regular LW 0.375	WASHER, LOCK, 3/8	4
14	HFBOLT 0.375-16x0.75x0.75-N	BOLT, HEX, 3/8-16 X 3/4	4
15	P03-0008	SHIM, 1" x .005"	2
16	P03-0009	SHIM, 1" x .010"	2
17	P03-0010	SHIM, 1" x .020"	2
18	P03-0013	SHIM, 1" x .093"	2



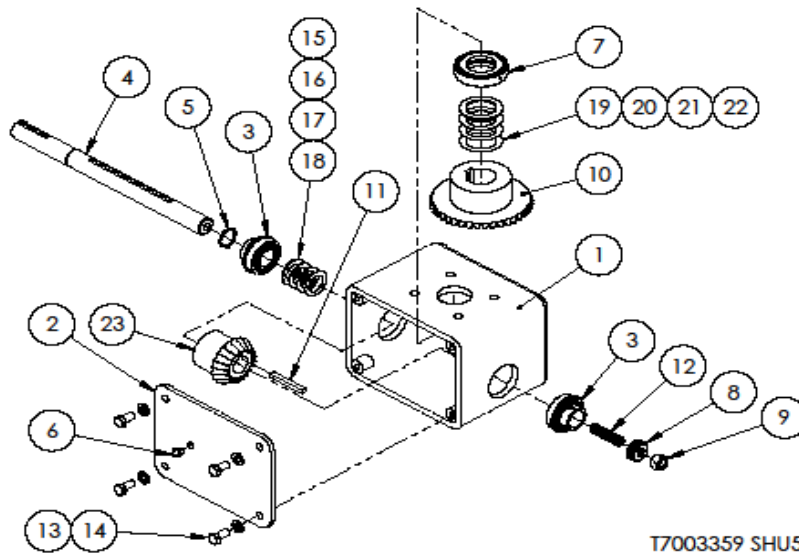
T7003480 SHU40 1:1

ITEM NO.	PART NUMBER	DESCRIPTION	QTY
1	T7003409	CASE WELDMENT	1
2	T7003412	PLATE, COVER	1
3	P03-0025	BEARING, 7616DLG	2
4	L003-014-002-R1	INPUT SHAFT	1
5	P03-0022	RING, RETAINING, EXTERNAL, 1"	1
6	P07-0082	ZERK FITTING, 1/8-27 NPT	1
7	P03-0029	BEARING, 1641 2RS	1
8	P03-0021	NUT, KNURLED	1
9	HNUT 0.5000-13-D-N	NUT, HEX, 1/2-13UNC	1
10	P03-0020	GEAR, MITER, 25T	2
11	Key B17.1 0.25x0.25x1.5	KEY, 1/4 X 1.5	2
12	P03-0023	STUD, 1/2-13 X 2"L, PLAIN	1
13	Regular LW 0.375	WASHER, LOCK, 3/8	4
14	HFBOLT 0.375-16x0.75x0.75-N	BOLT, HEX, GR 8, 3/8-16 X 3/4	4
15	P03-0008	SHIM, 1" x .005"	2
16	P03-0009	SHIM, 1" x .010"	2
17	P03-0010	SHIM, 1" x .020"	2
18	P03-0013	SHIM, 1" x .093"	2

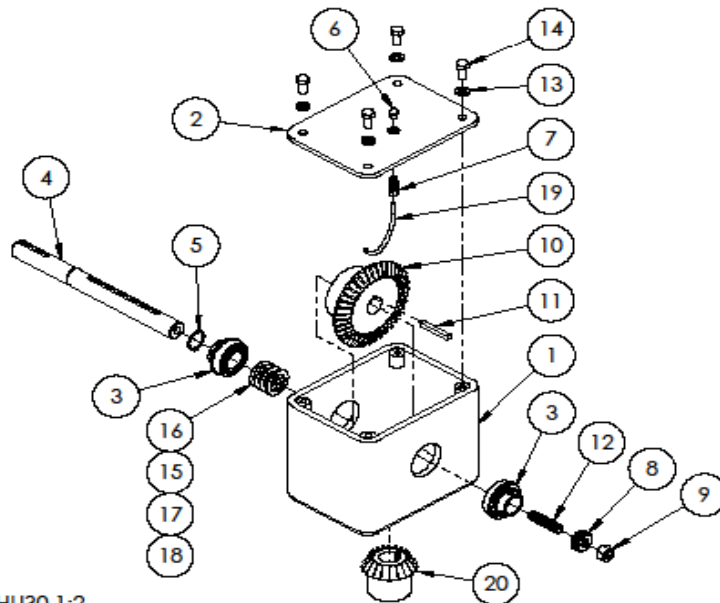


T7003407 SHU30 & SHU35 1:1

ITEM NO.	PART NUMBER	DESCRIPTION	QTY
1	T7003413	CASE MACHINING, RAG, 50	1
2	T7003417	COVER, RAG	1
3	P03-0025	BEARING, 7616DLG	2
4	T7002646	SHAFT, INPUT	1
5	P03-0022	RING, RETAINING, EXTERNAL, 1"	1
6	P07-0082	ZERK FITTING, 1/8-27 NPT	1
7	P07-0331	BEARING, THRUST, 1.500"	1
8	P03-0021	NUT, KNURLED	1
9	HNUT 0.5000-13-D-N	NUT, HEX, 1/2-13UNC	1
10	P03-0075	GEAR, BEVEL, 8P, 40T, 1.5B	1
11	T7003698	KEY, 1/4 x 2.19	1
12	P03-0023	STUD, 1/2-13 X 2"L, PLAIN	1
13	Regular LW 0.375	WASHER, LOCK, 3/8	4
14	HFBOLT 0.375-16x0.75x0.75-N	BOLT, HEX, GR8, 3/8-16 X 3/4	4
15	P03-0008	SHIM, 1" x .005"	1
16	P03-0009	SHIM, 1" x .010"	1
17	P03-0010	SHIM, 1" x .020"	1
18	P03-0013	SHIM, 1" x .093"	1
19	P03-0085	SHIM, 1-1/2" x .005"	1
20	P03-0086	SHIM, 1-1/2" x .010"	1
21	P03-0087	SHIM, 1-1/2" x .020"	1
22	P03-0088	SHIM, 1-1/2" x .093"	1
23	P03-0063	GEAR, BEVEL, 20T	1



ITEM NO.	PART NUMBER	DESCRIPTION	QTY
1	T7003476	CASE WELDMENT, GEAR	1
2	T7003478	COVER WELDMENT, CASE	1
3	P03-0025	BEARING, 7616DLG	2
4	L003-014-002-R1	INPUT SHAFT	1
5	P03-0022	RING, RETAINING, EXTERNAL, 1"	1
6	P07-0082	ZERK FITTING, 1/8-27 NPT	1
7	P01-0200	FITTING, 3/16" TUBE x 1/8" PIPE	1
8	P03-0021	NUT, KNURLED	1
9	HNUT 0.5000-13-D-N	NUT, HEX, 1/2-13	1
10	P03-0061	BEVEL GEAR, 40T	1
11	T7003697	KEY, 1/4 x 1.88	1
12	P03-0023	STUD, 1/2-13 X 2"L, PLAIN	1
13	Regular LW 0.375	WASHER, LOCK, 3/8	4
14	HFBOLT 0.375-16x0.75x0.75-N	BOLT, HEX, GR8, 3/8-16 X 3/4	4
15	P03-0008	SHIM, 1" x .005"	1
16	P03-0009	SHIM, 1" x .010"	1
17	P03-0010	SHIM, 1" x .020"	1
18	P03-0013	SHIM, 1" x .093"	1
19	T7000965	LINE, LUBE	1
20	P03-0063	GEAR, BEVEL, 20T	1



T7003475 SHU30 1:2

ITEM NO.	PART NUMBER	DESCRIPTION	QTY
1	T7003483	CASE MACHINING, RAG, 60	1
2	T7003489	COVER, RAG	1
3	P03-0025	BEARING, 7616DLG	2
4	T7002655	SHAFT, INPUT	1
5	P03-0022	RING, RETAINING, EXTERNAL, 1"	1
6	P07-0082	ZERK FITTING, 1/8-27 NPT	1
7	P07-0332	BEARING, THRUST, 1.750"	1
8	P03-0021	NUT, KNURLED	1
9	HNUT 0.5000-13-D-N	NUT, HEX, 1/2-13UNC	1
10	P03-0077	GEAR, BEVEL, 6P, 45T, 1.75B	1
11	T7003699	KEY, 1/4 x 2.62	1
12	P03-0023	STUD, 1/2-13 X 2"L, PLAIN	1
13	HFBOLT 0.375-16x0.75x0.75-N	BOLT, HEX, GR8, 3/8-16 X 3/4	4
14	Regular LW 0.375	WASHER, LOCK, 3/8	4
15	P03-0008	SHIM, 1" x .005"	1
16	P03-0009	SHIM, 1" x .010"	1
17	P03-0010	SHIM, 1" x .020"	1
18	P03-0013	SHIM, 1" x .093"	1
19	P03-0082	SHIM, 1-3/4" x .005"	1
20	P03-0083	SHIM, 1-3/4" x .010"	1
21	P03-0084	SHIM, 1-3/4" x .020"	1
22	P03-0016	SHIM, 1-3/4" x .093"	1
23	P03-0076	GEAR, BEVEL, 5P, 15T, 1.00B	1

